

Postless

UNEX
ARCHITECTURAL BARRIERS

UNEX Finline

UNEX's Postless Balustrade range features classic design refined for modern construction with its slim profile of continuous 'fins'. The durable 'fins' of our Postless Balustrade range replace the need for solid posts at set span distances, and are available in a range of colours and finishes to complement any build.

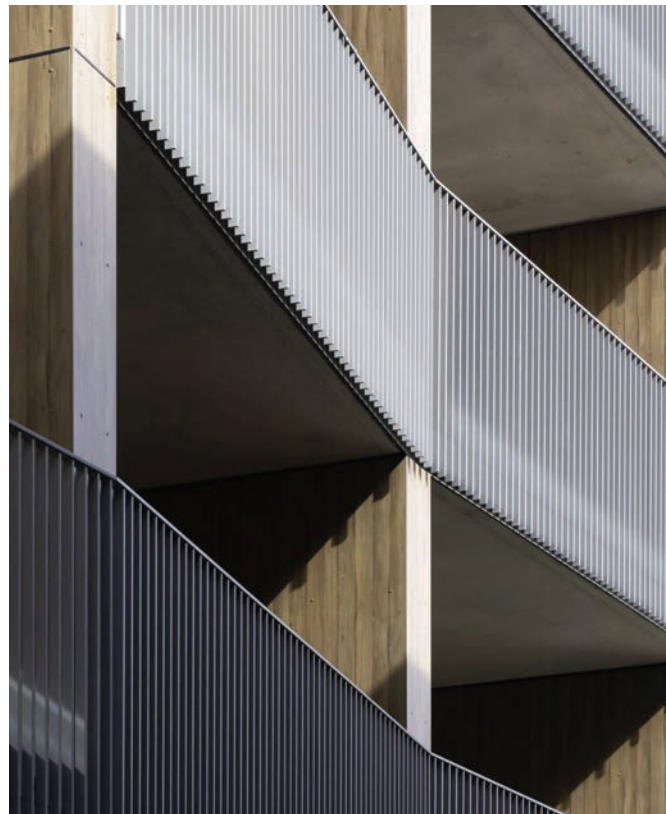
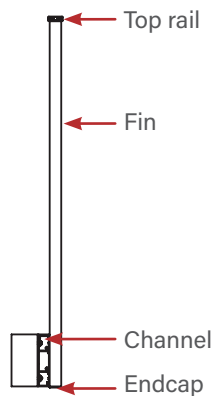
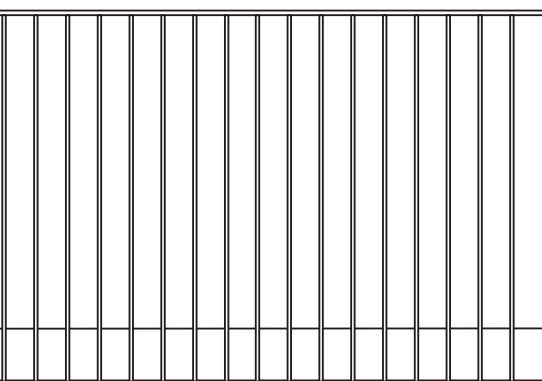
The result is an understated look head-on and a side view similar to a grill or comb, which provides an architectural statement to complement builds which feature vertical line elements.

The ultimate in minimalist urban styling, our practical and attractive Postless Balustrades range is a popular choice for design excellence matched by unparalleled performance.



The newest addition to the UNEX product portfolio, the Finline's modern, vertical style is both visually striking and extremely versatile. Its slim channel base can be side-mounted to the outside face of a balcony or terrace for a complete edge solution.

More than a just a balustrade, the Finline acts as a screen to obscure unsightly features or create a statement in an otherwise flat façade.

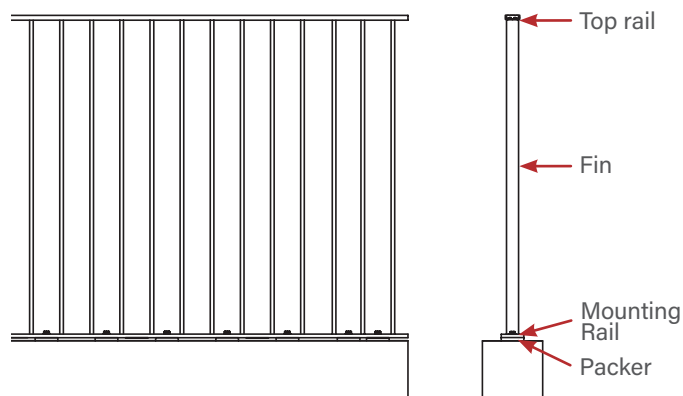


UNEX Topline



The seamless Topline is a top-mounted, pre-assembled system which can be attached to most substrates (concrete, timber or steel) using a mounting rail and is ideal for balconies or as fencing on retaining walls.

Structurally engineered for durability and strength while allowing for a continuous detail for waterproof integration, the weld-free Topline enhances privacy without blocking out light.



BIM and CAD Support for Architects and Specifiers

Technical Resources and Producer Statements (PS1's) are available for download at www.unex.co.nz



Features

- Continuous rows of thin 40x12mm fins gives this balustrade system a very slim profile when head-on, but has the look of a grill or comb when viewed from the side. These fins replace the need for solid posts.
- Full CAD details and producer documentation available for specifiers
- Top or face fixed to timber, concrete or steel.
- Designed with concealed assembly fasteners, simple clean lines, tidy joints with no welds.
- All UNEX products comply with New Zealand building regulations where they are required, so you can rely on them to keep you and your family, or that of your clients, safe and sound
- Downloadable pre-engineered Producer Statements (PS1s) for standard heights up to 1200mm from finished deck level, with expert advice available for more bespoke applications

Colours

Aluminium can be powdercoated to a colour of your choice. A wide range of exterior powdercoat finishes are available. Duralloy or equivalent is the standard finish supplied, unless stated otherwise, which provides excellent resistance to weather and salt spray.

Warranty

Material supplied by UNEX has a warranty period of 10 Years for Residential applications and 5 Years in Commercial applications.*

Typically, the powdercoat colours have a 15 Year durability and 15 Year colour warranty* but can vary depending which colour and powder specification is selected.

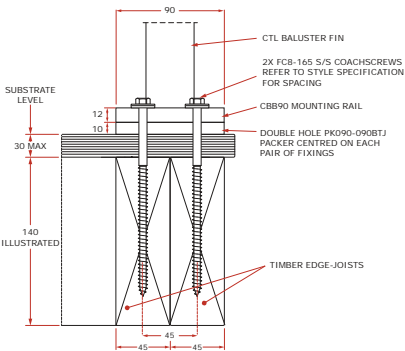
**Subject to terms & conditions, care & maintenance.*

Fixing Methods

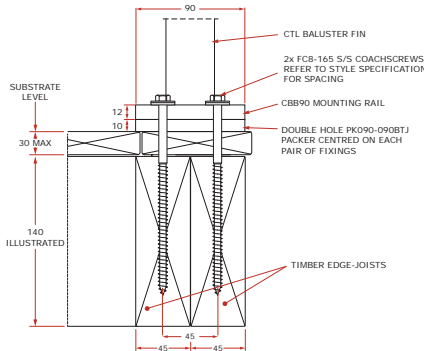
UNEX's balustrade systems can be mounted to a wide variety of substrates. Most styles can mounted to the side or top of the substrate. UNEX has a wide range of standardised pre-engineered solutions with PS1's available for download on our website.

For a fixing detail that is outside our standard range, UNEX can potentially design a site-specific solution. Please feel free to reach out to our friendly Customer Services Team if you need technical assistance.

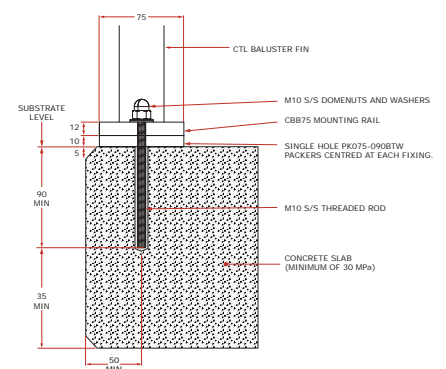
Dry Timber, Top Fixing, 90mm Joists
Spec ID FS.1T.20.74



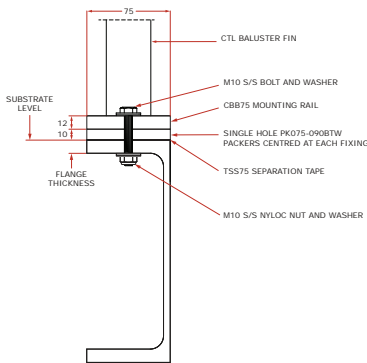
Wet Timber, Top Fixing, 90mm Joists
Spec ID FS.2T.20.74



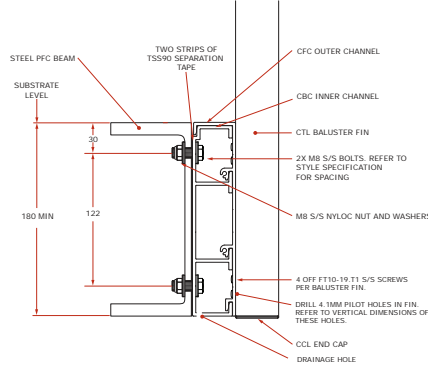
Concrete, Top Fixing, Epoxy-Set
Spec ID FS.3T.20.74



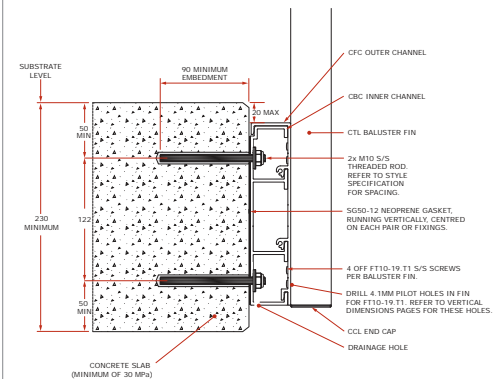
Steel, Top Fixing, Bolts
Spec ID FS.5T.17.74



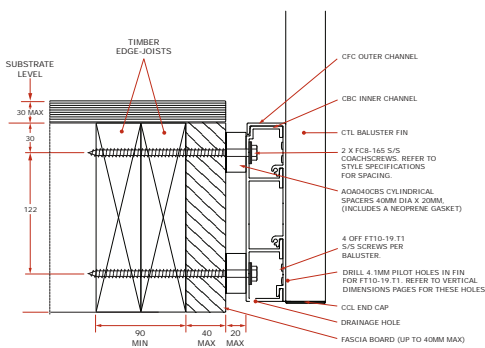
Steel, Side Fixing, Bolts
Spec ID FS.5S.17.75



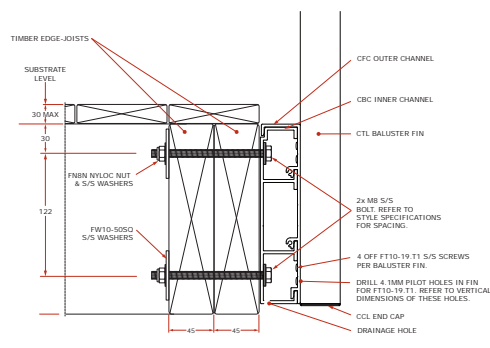
Concrete, Side Fixing, Epoxy-Set
Spec ID FS.3S.19.75



Dry Timber, Side Fixing, 90mm Joists
Spec ID FS.1S.05.75



Wet Timber, Side Fixing, Bolts
Spec ID FS.2S.06.75



Wet Timber, Side Fixing, 135mm Joists
Spec ID FS.2S.05.75

